

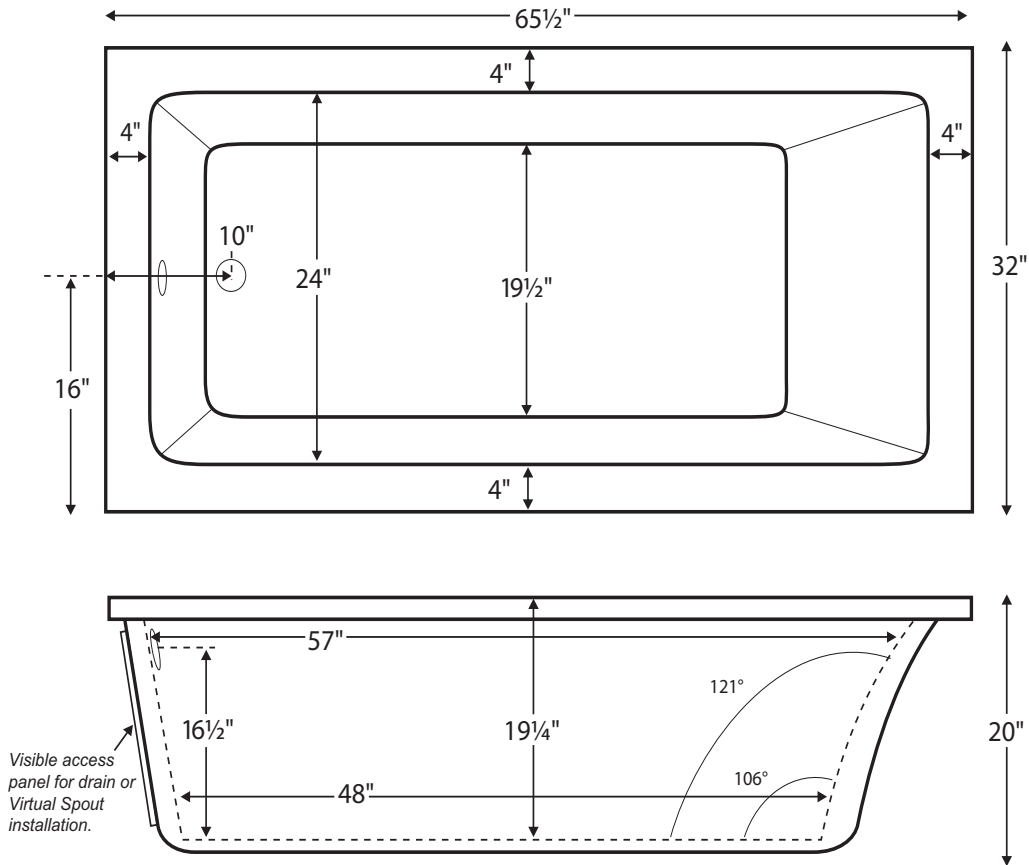
R6632CRFS

65.5" x 32" x 20"

GENERAL SPECIFICATIONS:

Installation: Freestanding
 Material: Acrylic
 Soaker Weight: 130 lbs / 58.97 kg
 Maximum Fill: 70 gal to overflow

NOTE: Filling this tub to the maximum may require an above average size or dedicated water heater.



IMPORTANT ORDERING & INSTALLATION INFORMATION:

- Freestanding tub is designed to install on a finished floor that is flat and level.
- There is room on drain side between the tub walls for waste & overflow.
- Faucet valves cannot be installed on this tub model.
- Tub includes an access panel (standard) behind the waste & overflow for plumbing connections or Virtual Spout installation.
- Access panel dimensions vary according to tub model and design. Please consider access panel visibility before ordering and when planning final installation position.
- The Virtual Spout is installed below the water level of the tub. Reliance supplies a Wilkins dual check valve and an Acme in-wall atmospheric vent to prevent backsiphonage. Some areas of the country require additional backflow prevention when water is introduced to the bath below the water level. Please check local codes.

• Before discarding tub crate, check for accessories that may be packaged inside.
 • All product measurements are ±1/2".
 • Specifications and configurations are subject to change without notice.
 • Measurements herein supersede all others published prior to publication date below.

PACKAGE	PACKAGE CONTENTS	PART #
Soaker	Soaking bath - No jets. Includes pre-leveled foam base.	R6632CRFS
Soaker With Virtual Spout	Soaking bath - No jets. Includes Virtual Spout integrated high-flow tub filler (see important ordering information), pre-leveled foam base.	R6632CRFSVS

OPTIONS <i>(must be ordered at time of purchase)</i>
Color Upgrade: Biscuit (RCOLOR)
ACCESSORIES
Lift and Turn Drain & Overflow Chrome (RWOC) Brushed Nickel (RWOBN) White (RWOW)
Pillows Soft Pillow White (RPSW) Black (RPSB) Roll-Up Pillow Light Aqua (RPRUC) Black (RPRUB)